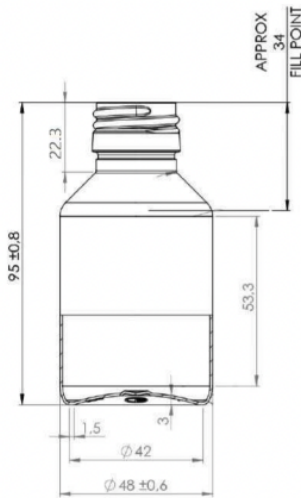


Pharma Veral 100



General info

| | |
|--------------------|------------------------------|
| Item no. (SKU): | LS1020413101 |
| Family / Range: | Pharma Veral |
| Capacity: | 100ml |
| Neck: | 28 ROPP |
| Weight: | 14 |
| Shape: | Round |
| Material: | PET |
| Colour: | All Colours Available |
| Print Areas: | |
| Country of Origin: | Lithuania |

Packaging Info

Packed in Boxes

| | |
|----------------------------|------------------------|
| Box Dimensions (mm): | 594 x 394 x 448 |
| Quantity per box (pcs): | |
| Boxes per pallet (pcs): | 20 |
| Quantity per pallet (pcs): | |
| Net weight (kg): | |
| Gross weight (kg): | |
| Pallet height (mm): | 2400 |

Packed in PE bags on trays (Full pallet)

| | |
|----------------------------|------------------------|
| Tray dimensions (mm): | 1200 x 800 x 50 |
| Quantity per tray (pcs): | 432 |
| Quantity per PE bag (pcs): | 108 |
| PE bags per tray (pcs): | 4 |
| Trays per pallet (pcs): | 23 |
| Quantity per pallet (pcs): | 9936 |
| Net weight (kg): | 139 |
| Gross weight (kg): | 154 |
| Pallet height (mm): | 2400 |

Food contact statement

We hereby confirm that this product complies with the requirements of the European legislation (EU) no 10/2011 and all its amendments for plastics used in contact with food

Storage

Please be aware that these products are handled and stored correctly in order to ensure the safety and quality of our products. When storing this product, please avoid excessive force and storage above 40 degrees Celsius (86 degrees Fahrenheit)